

Pioneer

DVD / CD WRITER

LECTEUR DE DVD / CD

DVR-X162Q

Operating Instructions

Mode d'emploi

CAUTION

**RISK OF ELECTRIC SHOCK
DO NOT OPEN**

CAUTION:

TO PREVENT THE RISK OF ELECTRIC SHOCK, DO NOT REMOVE COVER (OR BACK). NO USER-SERVICEABLE PARTS INSIDE. REFER SERVICING TO QUALIFIED SERVICE PERSONNEL.



Thank you for buying this Pioneer product. Before using the drive, read all warnings, cautions, notices and other important safety information contained in these Operating Instructions. Please read the entire manual before using this drive as it contains important information, such as regulatory data, software license agreement(s), product registration details, service instructions and guidelines.

WARNING

This equipment is not waterproof. To prevent a fire or shock hazard, do not place any container filled with liquid near this equipment (such as a vase or flower pot) or expose it to dripping, splashing, rain or moisture.

D3-4-2-1-3_A1_En

WARNING: Handling the cord on this product or cords associated with accessories sold with the product will expose you to chemicals listed on proposition 65 known to the State of California and other governmental entities to cause cancer and birth defect or other reproductive harm.

Wash hands after handling

D36-PA_A_En

This product complies with the Low Voltage Directive 2006/95/EC and EMC Directive 2004/108/EC.

D3-4-2-1-9a_A_En

Precautions Regarding Use

- Pioneer may not be held liable for the loss of any data or any other direct or indirect damage suffered as the result of the use or breakdown of this product. It is strongly recommended to regularly back up all critical data.
- Care must be taken not to infringe copyright restrictions under the laws of each country. If this device is used to record copyrighted materials, approval must be obtained from the respective copyright holders. The recording of copyrighted materials without the express approval of the respective copyright holders may result in legal penalties. Pioneer disclaims any and all responsibility for any legal damages resulting from the use of this device in the unauthorized copying of copyrighted materials.
- All names of corporations, products, and systems listed herein, even when the (™) or (®) symbols are omitted, are considered the registered trademarks of the respective owners.

CAUTION

This product is a class 1 laser product, but this product contains a laser diode higher than Class 1. To ensure continued safety, do not remove any covers or attempt to gain access to the inside of the product. Refer all servicing to qualified personnel. The following caution label appears on your unit. Location: top of internal drive unit



D3-4-2-1-8*_A1_En

IMPORTANT



The lightning flash with arrowhead symbol, within an equilateral triangle, is intended to alert the user to the presence of uninsulated "dangerous voltage" within the product's enclosure that may be of sufficient magnitude to constitute a risk of electric shock to persons.



CAUTION: TO PREVENT THE RISK OF ELECTRIC SHOCK, DO NOT REMOVE COVER (OR BACK). NO USER-SERVICEABLE PARTS INSIDE. REFER SERVICING TO QUALIFIED SERVICE PERSONNEL.



The exclamation point within an equilateral triangle is intended to alert the user to the presence of important operating and maintenance (servicing) instructions in the literature accompanying the appliance.

D3-4-2-1-1_A1_En

For PLUGGABLE EQUIPMENT, the socket-outlet shall be installed near the equipment and shall be easily accessible.

Information to User

Alterations or modifications carried out without appropriate authorization may invalidate the user's right to operate the equipment.

D8-10-2_A_En

[For Canadian Model]

This Class B digital apparatus complies with Canadian ICES-003.

Replacement and mounting of an AC plug on the power supply cord of this unit should be performed only by qualified service personnel.

NOTE: This equipment has been tested and found to comply with the limits for a Class B digital device, pursuant to Part 15 of the FCC Rules. These limits are designed to provide reasonable protection against harmful interference in a residential installation. This equipment generates, uses, and can radiate radio frequency energy and, if not installed and used in accordance with the instructions, may cause harmful interference to radio communications. However, there is no guarantee that interference will not occur in a particular installation. If this equipment does cause harmful interference to radio or television reception, which can be determined by turning the equipment off and on, the user is encouraged to try to correct the interference by one or more of the following measures:

- Reorient or relocate the receiving antenna.
- Increase the separation between the equipment and receiver.
- Connect the equipment into an outlet on a circuit different from that to which the receiver is connected.
- Consult the dealer or an experienced radio/TV technician for help.

D8-10-1-2_En

DANGER – VISIBLE AND INVISIBLE LASER RADIATION WHEN OPEN. AVOID DIRECT EXPOSURE TO BEAM.

CAUTION: Use of controls or adjustments or performance of procedures other than those specified herein may result in hazardous radiation exposure.

CAUTION: The use of optical instruments with this product will increase eye hazard.

FEDERAL COMMUNICATIONS COMMISSION DECLARATION OF CONFORMITY

This device complies with part 15 of the FCC Rules. Operation is subject to the following two conditions: (1) This device may not cause harmful interference, and (2) this device must accept any interference received, including interference that may cause undesired operation.

Product Name: DVD / CD WRITER

Model Number: DVR-X162Q

Responsible Party Name: PIONEER ELECTRONICS SERVICE, INC.

Address: 1925 East Dominguez St. Long Beach, CA 90810, U.S.A.

Phone: TEL: 800-872-4159

CAUTION: This product satisfies FCC regulations when shielded cables and connectors are used to connect the unit to other equipment. To prevent electromagnetic interference with electric appliances such as radios and televisions, use shielded cables and connectors for connections.

D8-10-3a_En

IMPORTANT NOTICE

RECORD THE MODEL NUMBER AND SERIAL NUMBERS OF THIS EQUIPMENT BELOW. THE NUMBERS ARE ON THE REAR.

MODEL NO. **DVR-X162Q** _____

SERIAL NO. _____

KEEP THESE NUMBERS FOR FUTURE USE.

D1-4-2-6-2*-A1_En

Operating Environment

Operating environment temperature and humidity:

+5 °C to +35 °C (+41 °F to +95 °F); less than 85 %RH (cooling vents not blocked)

Do not install this unit in a poorly ventilated area, or in locations exposed to high humidity or direct sunlight (or strong artificial light).

D3-4-2-1-7c*_A1_En



is a trademark of DVD Format/Logo Licensing Corporation.

SAFETY INSTRUCTIONS

To ensure your personal safety and to maximize the full operating potential of your unit, read and follow these safety instructions.

Read & Retain Instructions – Read all operating and user information provided with this drive.

Cleaning – Use a damp cloth to clean the exterior housing. Avoid using any fluids including liquid, aerosol or alcohol-based cleaning products.

Water or Moisture – Avoid operating or locating this drive near water or other sources of fluid.

Accessories – Do not place this product on an unstable cart, stand, or table. The product may fall and be seriously damaged.

Ventilation – Slots and openings in the chassis are for cooling and proper operation of the unit. Do NOT block or cover the openings. Do NOT place this unit on a bed, rug, etc. as this can block the openings. This unit should not be placed in a built-in installation unless properly ventilated.

Environment – Avoid installing this drive in a location with exposure to large quantities of dust, high temperatures, high humidity, or subject to excessive vibrations or shocks.

Power Sources – Operate this drive only from the recommended power sources. If you are unsure of the power source, consult an authorized Pioneer representative.

Power-Cord Protection – When unplugging the unit, pull on the plug – not on the cord. Do not handle the cord or plug with wet hands; doing so could cause an electric short or shock. Do not allow anything to pinch or rest on the power cord and do not place in a walkway.

Power – Turn OFF the system before installing this or any other hardware device.

Overloading – Avoid connecting too many devices to a single wall socket or power source as this can cause fires or short circuits.

Object & Liquid Entry – Never push inappropriate objects in to the device. Avoid spilling any liquids in to or on the outside of the drive.

Condensation – Moisture can form in the operating section of the product if the drive is taken from cool surroundings to a room with a warmer temperature. Let the drive stand for one to two hours in the new location before turning it ON.

Servicing – Opening or removing the cover exposes you to possible electrical shock or other danger. Contact a Pioneer authorized service representative for repairing this drive (refer to the enclosed Service & Support Card).

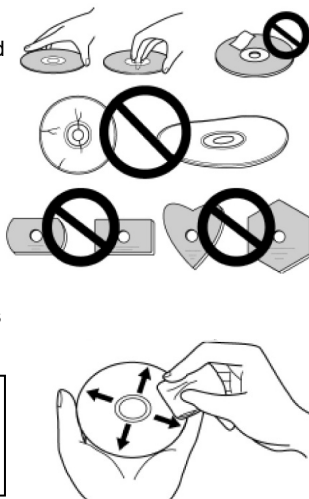
Damage Requiring Service – Unplug the unit and refer servicing to qualified service personnel in the following situations:

- When the power cord, plug, or chassis is damaged
- If liquid has been spilled, or objects have fallen into the video product
- If the product has been exposed to rain or water
- If the product does not operate normally when the operating instructions are followed. Adjust only those controls that are covered by the operating instructions. Improper adjustment of other controls may result in damage and can require extensive work by a qualified technician to restore the unit to its normal operation.
- When the product exhibits a distinct change in performance – this indicates a need for service

About DualDisc Playback – DualDisc is a new two-sided disc with one side containing DVD video / audio / etc. content and the opposite side containing non-DVD content such as digital audio material. The non-DVD audio side is not compliant with the CD Audio Specification; therefore, may not play. The DVD side of DualDisc media plays in this unit. For more details about the DualDisc specification, please refer to the disc manufacturer or your retailer.

- Avoid touching or scratching the signal surface (shiny side) of the disc.
- Hold the disc by the edges or by the center hole and one edge.
- Do not affix paper or labels to the disc.
- Discard warped or cracked discs as they may cause damage to the drive.
- Avoid specially shaped discs such as hearts or polygons.
- Remove dust or lint from the disc with a soft cloth by wiping from the inside to the outside edge rather than in a circular motion.
- Do not use record-cleaning or anti-static agents as the solutions may cause damage to a disc.

Always be sure to store your discs in proper disc storage cases when not in use, and always be sure to check for dirt or dust on discs (especially on the recording side) before use.



Note: Some discs may not be playable due to different recording formats or the physical condition of the disc at the time of recording or playback.

FEATURES

- Interface: USB 2.0
- Write Speed (▲ZCLV, ★CAV)

DVD-Download disc*	8X P-CAV (6X CLV)
DVD-R	1X, 2X, 4X, 6X, 8X*, 12X*, 16X*, 18X*, 20X*
DVD-R DL	2X, 4X, 6X, 8X*, 10X*, 12X*
DVD-RW	1X, 2X, 4X, 6X
DVD+R	2.4X, 4X, 6X, 8X*, 12X*, 16X*, 18X*, 20X*
DVD+R DL	2.4X, 4X, 6X, 8X*, 10X*, 12X*
DVD+RW	2.4X, 3.3X, 4X, 6X, 8X*
DVD-RAM	2X, 3X, 5X, 6X, 8X*, 12X*
CD-R	4X, 10X, 16X, 24X, 32X*, 40X*
CD-RW	4X, 10X, 16X, 20X*, 24X*, 32X*

*Note : DVD Download Disc for CSS Managed Recording (Qflix supported software application will be required.)

- Maximum Read Speed

DVD-Download disc	12X CAV		
DVD-ROM (single)	16X	DVD-ROM (dual)	12X
DVD-R, DVD+R	16X	DVD-R DL,	12X
		DVD+R DL	
DVD-RW, DVD+RW	13X	DVD-RAM	12X
CD-ROM, CD-R	40X	CD-RW	32X
- Buffer Memory Size 2 MBytes (Read/Write)
- Horizontal / Vertical orientation available
- Low vibration Mechanism by DRA System
- DVD Download using recordable CSS technology

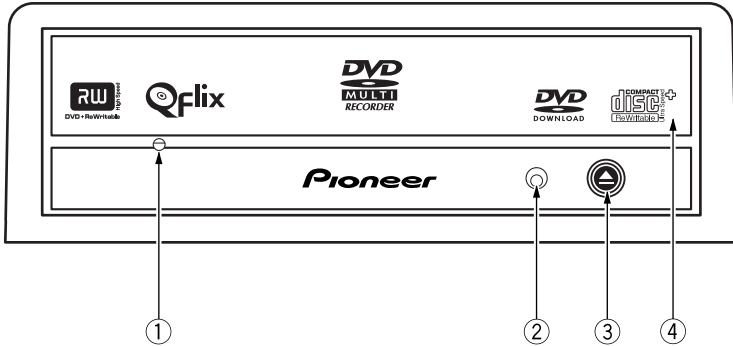
Disc Format (Read/Write)

- DVD-Download disc
- DVD single layer/dual layer / 120 mm / 80 mm (Usable only when unit is mounted horizontally) disc
- DVD-R (In case of write, 650 nm disc for General only.)
- DVD-R (4X, 8X, 16X Write speed)
- DVD-R DL
- DVD-RW (1X, 2X, 4X, 6X Write speed)
- DVD+R (2.4X, 4X, 8X, 16X Write speed)
- DVD+R DL
- DVD+RW (2.4X, 4X, 8X Write Speed)
- DVD-RAM (Ver 2.0, 2.1, 2.2) (Non-Cartridge)
- CD-ROM Mode 1
- CD-ROM XA Mode2 (form 1, form 2)
- Photo CD (single and multiple sessions)
- CD-DA
- CD-Extra (CD PLUS)
- Video-CD
- CD Text
- CD-R
- CD-RW, HS CD-RW, US CD-RW, US* CD-RW

Notes: · A specific application program is necessary to write the formats listed above.

- Supported media required for specific DVD and CD writing speeds.
- When writing to DVD at 12X, 16X, and 20X use Pioneer-tested media. For media brand information, refer to the Pioneer website: <http://www.pioneerelectronics.com>
- Average writing speed may decrease when multiple discs are written during the same session.
- 20X write speed with DVD±R is possible when USB high-speed driver is used (this driver allows higher data transmission rates than otherwise possible with USB connections). Note that the USB driver is specific to this device, and will not produce the same results when used with other devices on the same USB port. Likewise, high-speed drivers supplied with other devices will not be effective for increasing the transmission speed of this unit.

FRONT VIEW



① Forced Ejection Hole

If the tray fails to eject when the Eject button is pressed, insert a stiff rod into the hole and push to eject the tray.

During normal operation, the eject button should be used to unload the tray. Turn the power to the drive OFF then wait approximately one minute until the disc stops spinning before trying to eject the tray redundant prepositional phrase.

② BUSY Indicator

Operation status is indicated as follows:

During reading	Lights
During writing	Lights

③ Eject Button

Press the button to unload / load the disc.

④ Disc Tray

Press the Eject button to open the loading tray then place a CD or DVD disc onto the tray with the label facing up. Press the Eject button again or gently push the tray to close and load.

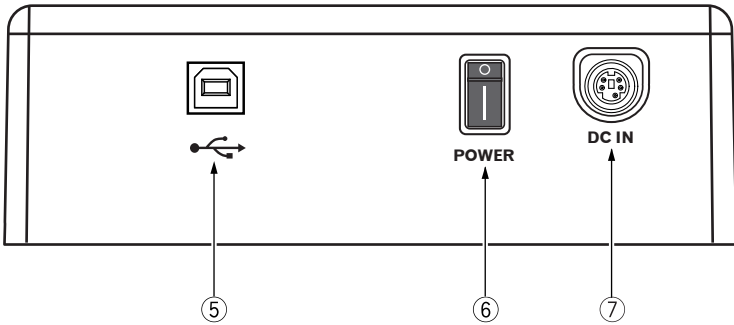
Do not attempt to forcibly pull out the disc tray – use the Forced Ejection Hole ①.

ABOUT REGION CODES

The region code can only be changed five (5) times, including the initial setting. Please be aware that the fifth change becomes **PERMANENT**. Therefore, avoid changing the region code unless absolutely necessary.


- Region codes are part of the DVD Standard. However, region codes on DVD discs are optional. DVD discs with no specified region code can be played on all compliant players.

REAR VIEW



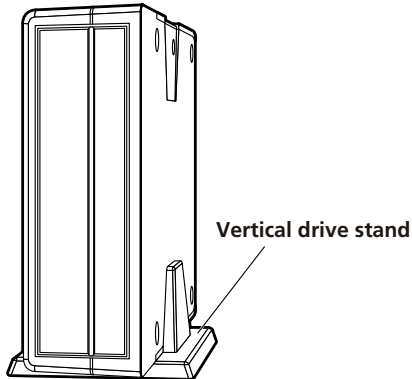
- ⑤ **USB 2.0**
4-pin USB 2.0 I/O Connector
- ⑥ **Power on/off switch**
- ⑦ **DC In**
AC Adapter Connector

Pin	Name
1	Ground
2	Ground
3	+12 V
4	+5 V
5	+5 V

A circular diagram of the DC IN connector with five pins labeled 1 through 5. Pin 1 is at the top, pin 2 is at the top-right, pin 3 is at the bottom-right, pin 4 is at the bottom-left, and pin 5 is at the left.

Using vertical drive stand

The supplied vertical drive stand can be used if desired to mount the unit vertically as shown in the accompanying illustration. When using the vertical drive stand, either the right or left side of the drive unit can be oriented downward in the stand.

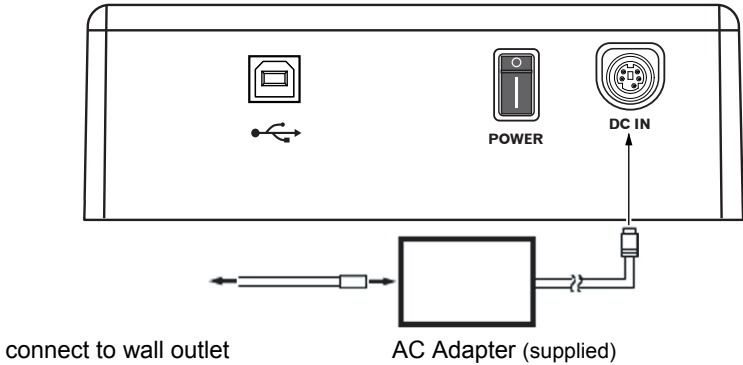


CONNECTIONS

Connect the unit to the supplied AC adapter and connect the USB.

AC Adapter Connection

Connect the AC adapter plug for the DC IN connector on the unit's rear panel. Use the supplied power cord to connect the AC adapter to a wall outlet.



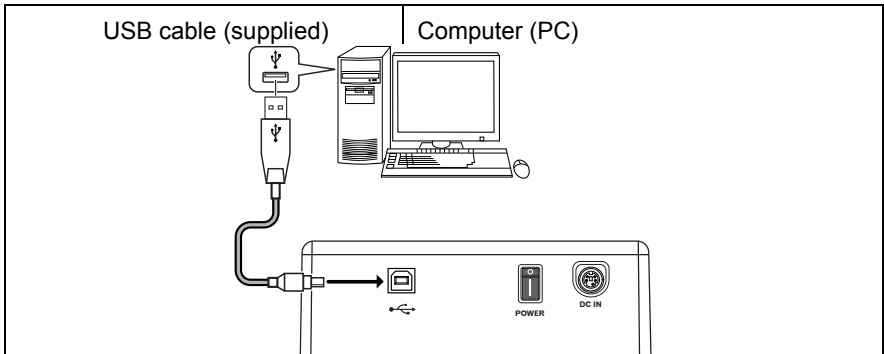
USB Cable Connection

This is a hot-plug unit.

- 1) Confirm that your computer (PC) has an available USB port.
- 2) With your Windows® operating system running, use the supplied USB cable to connect the external drive to the PC.

Note: This unit can operate with USB 1.1 but will not provide optimum performance.

Warning: Do not disconnect the unit during data transfers.



OPERATIONS

The unit writes to DVD-R/-RW media when the supplied software application is installed on your PC. Writing fails if the PC or operating system does not support the software.

Begin Writing to DVD-R/-RW:

- 1) Turn on the unit.
- 2) Turn on the PC.
- 3) Press the Eject button to open the tray.
- 4) Place the disc in the tray with the label facing up.
- 5) Press the Eject button again to close the tray.
- 6) Start the disc-burning application.

End the Writing Session:

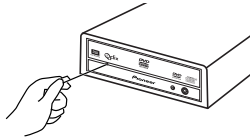
- 1) Quit the disc burning application.
- 2) Press the Eject button to open the tray.
- 3) Remove the disc.
- 4) Press the Eject button again to close the tray.
- 5) Shut down the PC.
- 6) Turn OFF the unit.

For software (including USB high-speed driver) installation directions, please refer to the manual available on the software disc included with your drive. For assistance with writing or playing back discs, see the HELP function within the software application.

Manual Disc Ejection

Use the manual eject hole to remove discs if the tray fails to open and all other methods have been exhausted.

- 1) Shut down the PC.
- 2) Wait for the disc to stop spinning.
- 3) Insert a straightened paper clip or small wire into the manual eject hole.
- 4) Press firmly until the tray protrudes by at least a ½ inch (5 mm to 10 mm).
- 5) Gently pull the tray straight out and remove the disc.



Notes:

- To prevent injury and damage to the unit, do NOT force the tray to open while the disc is spinning.
- Do not place objects in front of the tray while in operation.

SPECIFICATIONS

[Position]

This drive is horizontal and vertical use.

[Disc Size]

12 cm / 8 cm (*Drive does not support non-standard shapes such as business cards, diamond, etc.*)

[Disc Transfer Rate]

Data Read (sustained)

DVD	Max. 22.16 MBytes/sec.
CD	Max. 6.14 MBytes/sec. (17.1 – 40X CAV Mode over 16 block transfer)

Data Write (sustained)

DVD	Max. 27.7 MBytes/sec. (20X DVD-R)
CD	Max. 6.14 MBytes/sec. (40X CD-R)

** Media that is dirty or damaged can affect the transfer rate.*

[Access Time / Seek Time] (Random Averages)

Access Time	DVD-ROM 130 ms	CD-ROM 120 ms
Seek Time	DVD-ROM 120 ms	CD-ROM 110 ms

[Power]

AC Adapter (supplied)	+12 V DC / 2 A, +5 V DC / 2 A
Source	100 V to 240 V AC, 50 Hz / 60 Hz
Rated Output	+12 V DC / 2 A, +5 V DC / 2 A

[Physical Information]

Dimensions (including front panel) 6.54 in. W x 2.20 in. H x 9.25 in. D 166 mm W x 55.8 mm H x 235 mm D

Weight 2.65 lb 1.2 kg

Operating Temperature	+41 ° F to +95 ° F (+5 ° C to +35 ° C)
Operating Humidity	5 % to 85 % (no condensation)
Storage Temperature	-41 ° F to +140 ° F (-40 ° C to +60 ° C)
Storage Humidity	5 % to 90 % (no condensation)

[Accessories]

- Software disc (x 1)
- AC Adapter (x 1)
- Power Cord (x 1)
- USB Cable (1.0 m) (x 1)
- Vertical drive stand (x 1)
- Operating Instructions (x 1)

Note: Specifications and designs are subject to possible modifications without notice, due to improvements.

Nous vous remercions pour cet achat de ce produit Pioneer. Avant d'utiliser ce lecteur, veuillez lire et comprendre toutes les mises en garde, avis et avertissements, ainsi que tous les renseignements importants sur la sécurité qui apparaissent dans ce manuel d'utilisation. De plus, lisez tout le manuel avant d'utiliser ce produit, car il contient des renseignements importants, tels que les données de réglementation, les licences d'utilisation des logiciels, l'enregistrement des produits, le service et le fonctionnement.

AVERTISSEMENT

Cet appareil n'est pas étanche. Pour éviter les risques d'incendie et de décharge électrique, ne placez près de lui un récipient rempli d'eau, tel qu'un vase ou un pot de fleurs, et ne l'exposez pas à des gouttes d'eau, des éclaboussures, de la pluie ou de l'humidité.

D3-4-2-1-3_A_Fr

AVERTISSEMENT: La manipulation du cordon de ce produit ou du cordon des accessoires vendus avec cette unité peut provoquer une exposition au plomb, un produit chimique reconnu par divers organismes gouvernementaux comme cause de cancer, d'anomalies congénitales et d'autres dangers pour la reproduction.

Veillez vous laver les mains après avoir manipulé de tels cordons.

Ce produit est conforme à la directive relative à la basse tension 2006/95/CE et à la directive relative à la compatibilité électromagnétique 2004/108/CE.

D3-4-2-1-9a_A_Fr

Précautions relatives à l'utilisation

- Pioneer n'est responsable d'aucune perte de donnée ni d'aucun autre dommage direct ou indirect que ce soit découlant de l'utilisation ou de la défaillance de ce produit. Il est fortement recommandé que vous fassiez régulièrement des copies de secours de vos données importantes.
- Assurez-vous de ne contrevenir à aucune restriction de droit d'auteur imposée par les lois de tout pays que ce soit. Si ce dispositif est utilisé pour enregistrer du matériel protégé par des droits d'auteur, vous devez d'abord obtenir l'approbation des titulaires respectifs de tels droits. L'enregistrement du matériel protégé par des droits d'auteur sans l'approbation expresse préalable des titulaires respectifs de tels droits peut entraîner des sanctions judiciaires. Pioneer rejette toute responsabilité en cas de dommages légaux découlant de l'utilisation de ce dispositif pour faire des copies non autorisées de tout matériel protégé par des droits d'auteur que ce soit.
- Tous les noms de corporations, de produits et de systèmes indiqués dans les présentes, même lorsque les symboles (™) ou (®) sont omis, doivent être considérés comme des propriétés commerciales de leur titulaire respectif.

ATTENTION

Cet appareil est un produit laser de Classe 1, mais la diode laser qu'il renferme est supérieure à la Classe 1. Pour garantir une sécurité constante, ne retirez aucun des couvercles et n'essayez pas d'avoir accès à l'intérieur de l'appareil.

Confiez toute réparation à un personnel qualifié.

L'étiquette suivante se trouve sur votre appareil.

Emplacement : le dessus du lecteur interne

**APPAREIL À LASER
DE CLASSE 1**

CAUTION	CLASS 3B VISIBLE AND INVISIBLE LASER RADIATION WHEN OPEN, AVOID EXPOSURE TO THE BEAM.
ATTENTION	RADIATIONS LASER VISIBLES ET INVISIBLES DE CLASSE 3B QUAND OUVERT, ÉVITEZ TOUT EXPOSITION AU RAYON.
ADVARSEL	KLASSE 3B SYNLIG OG ØSYNLIG LASERSTRÅLING VED ÅBNING. UNDGÅ UDSÆTTELSE FOR STRÅLING.
VARNING	KLASS 3B SYNLIG OCH ØSYNLIG LASERSTRÅLING NÄR DENNA DEL ÄR ÖPPNAD. UNDVIK ATT UTSÄTTA DIG FÖR STRÅLING.
VORSICHT	BEI GEÖFFNETER ABDECKUNG IST SICHTBARE UND UNSICHTBARE LASERSTRÄHLUNG DER KLASSE 3B IM GERÄTENRIEMEN VORHANDEN. NICHT DEM LASERSTRAHL AUSSETZEN!
PRECAUCIÓN	CUANDO SE ABRE HAY RADIACIÓN LASER DE CLASE 3B VISIBLE E INVISIBLE. EVITE LA EXPOSICIÓN A LOS RAYOS LASER.
VARO!	AVATTAESSA OLET ALTIINA NÄKYVÄLLÄ JA NÄKYMÄTTÖMÄLLÄ LUOKAN 3B LASERSÄTELYLLÄ. ÄLÄ KATSO SÄTEESEEN.
注意	ここを開くとCLASS3Bの可視レーザー光及び不可視レーザー光が出ます。ビームを直接見たり、触れたりしないこと。

D3-4-2-1-8*_C_Fr

Pour un ÉQUIPEMENT ENFICHABLE, la prise de courant sera installée près de l'équipement et elle sera facilement accessible.

IMPORTANT



Ce symbole de l'éclair, placé dans un triangle équilatéral, a pour but d'attirer l'attention de l'utilisateur sur la présence, à l'intérieur du coffret de l'appareil, de "tensions dangereuses" non isolées d'une grandeur suffisante pour représenter un risque d'électrocution pour les êtres humains.

ATTENTION

DANGER D'ÉLECTROCUTION
NE PAS OUVRIR

ATTENTION:
POUR ÉVITER TOUT RISQUE D'ÉLECTROCUTION, NE PAS ENLEVER LE COUVERCLE (NI LE PANNEAU ARRIÈRE). AUCUNE PIÈCE RÉPARABLE PAR L'UTILISATEUR NE SE TROUVE À L'INTÉRIEUR. CONFIER TOUT ENTRETIEN À UN PERSONNEL QUALIFIÉ UNIQUEMENT.



Ce point d'exclamation, placé dans un triangle équilatéral, a pour but d'attirer l'attention de l'utilisateur sur la présence, dans les documents qui accompagnent l'appareil, d'explications importantes du point de vue de l'exploitation ou de l'entretien.

D3-4-2-1-1_Fr

[Pour le modèle Canadien]

Cet appareil numérique de la Classe B est conforme à la norme NMB-003 du Canada.

Le remplacement et la fixation d'une prise c.a. sur le cordon électrique de cette unité doivent être faits par un technicien de service qualifié seulement.

Réglementation 3 d'information sur bruits de machine, GPSPGV: Le niveau de pression sonore maximum est de 70 dB(A) ou moins, conformément à *EN ISO 7779*.

Avis important – Inscrivez le numéro de modèle et le numéro de série de l'unité ci-dessous. Ces numéros apparaissent sur le panneau arrière du produit.

N° de modèle : **DVR-X162Q**

N° de série : _____

Conservez ces numéros à titre de référence ultérieure.

Milieu de fonctionnement

Température et humidité du milieu de fonctionnement :

De +5 °C à +35 °C (de +41 °F à +95 °F); Humidité relative inférieure à 85 % (orifices de ventilation non obstrués)

N'installez pas l'appareil dans un endroit mal ventilé ou un lieu soumis à une forte humidité ou en plein soleil (ou à une forte lumière artificielle).

D3-4-2-1-7c_A_Fr



est une marque de commerce de DVD Format/Logo Licensing Corporation.

INSTRUCTIONS DE SÉCURITÉ

Pour garantir votre sécurité personnelle et obtenir le maximum de votre lecteur, lire et suivre ces consignes de sécurité.

ENVIRONNEMENT – Ne pas utiliser cet appareil dans des endroits avec beaucoup de poussière, une température ou une humidité élevée. Utiliser l'appareil à un endroit où il n'est pas soumis à des vibrations ou des chocs.

PUISSANCE – Couper l'alimentation du système et des dispositifs joints avant l'installation.

LIRE LES INSTRUCTIONS – Lire toutes les instructions de sécurité et d'utilisation avant d'actionner le lecteur.

CONSERVER LES INSTRUCTIONS – Garder les instructions de sécurité et d'utilisation pour une future référence.

SUIVRÉ LES INSTRUCTIONS – Suivre toutes les instructions de fonctionnement et d'utilisation.

ATTENTION AUX AVERTISSEMENTS – Observer tous les avertissements.

NETTOYAGE – **NE PAS** utiliser de liquides, de détachants en aérosol ou de l'alcool. N'utiliser qu'un chiffon humide pour nettoyer les surfaces extérieures du boîtier.

EAU ET HUMIDITE – **NE PAS** utiliser ce produit à proximité d'eau.

SOURCES D'ALIMENTATION – Utiliser ce produit à avec le type d'alimentation indiqué sur l'étiquette de fabrication. En cas de doute à propos du type d'alimentation disponible, consulter un revendeur Pioneer agréé.

SURCHARGE – **NE PAS** surcharger les prises murales et les rallonges pour ne pas entraîner d'incendie ou de secousse électrique.

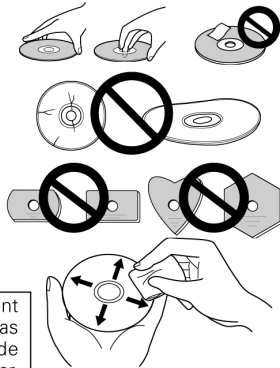
PENETRATION D'OBJETS ET DE LIQUIDES – Ne jamais enfoncer d'objet d'aucune sorte dans ce produit. Le contact avec des points de tension dangereux peut provoquer un court-circuit, entraînant un incendie ou une secousse électrique. Ne pas verser de liquide d'aucune sorte sur ce produit.

CONDENSATION – De l'humidité se forme sur la section de fonctionnement du produit entraînant une baisse de performances s'il est amené d'un endroit frais vers un environnement plus chaud. En cas de déplacement de l'appareil vers un endroit ayant une température plus chaude, laisser le produit pendant 1 à 2 heures dans le nouvel endroit avant de le remettre sous tension.

ENTRETIEN – Ne pas essayer de réparer soi-même ce produit. L'ouverture ou le retrait des capots peut vous exposer à une tension dangereuse ou d'autres dangers. Pour tout entretien, demander à un personnel d'entretien qualifié. (Se reporter à la carte d'entretien et de support jointe.)

AU SUJET DE LA LECTURE DES DISQUES À DOUBLE COUCHE – Un disque à double couche (DualDisc en anglais) est un tout nouveau disque deux faces. L'une de ces faces comprend le contenu DVD – vidéo, audio, etc. – et l'autre, le contenu non-DVD tel que le matériel audio numérique. La face audio non-DVD de ces disques n'est pas conforme aux spécifications CD audio, ce qui pourrait empêcher sa lecture. La face DVD des disques à double couche peut être jouée sur ce produit. Pour plus de détails sur la spécification des disque à double couche, veuillez communiquer avec le fabricant du disque ou votre détaillant.

- Evitez de toucher ou de griffer la surface du disque sur laquelle sont enregistrés les signaux (surface brillante).
- Saisissez le disque par les bords ou par le centre et un bord.
- Ne collez pas de papier ou d'étiquette sur le disque.
- Jetez les disques fissurés ou voilés, car ils peuvent endommager le lecteur.
- Evitez les disques de forme spéciale, notamment ceux en forme de coeur ou de polygone.
- Eliminez la poussière ou les peluches du disque à l'aide d'un linge doux en frottant de l'intérieur vers l'extérieur et non en effectuant un mouvement circulaire.
- N'utilisez jamais de produit de nettoyage pour disque ou d'agent antistatique, car ces solutions peuvent endommager le disque.



Rangez toujours vos disques dans les boîtes de rangement de DVD-R prévues à cet effet lorsque nous ne les utilisons pas et vérifiez s'ils ne sont pas couverts de saletés ou de poussières (surtout sur la face enregistrée) avant de les utiliser.

Remarque: Il se peut que quelques disques ne jouent pas à cause des différents formats d'enregistrement ou de l'état physique du disque à l'heure de l'enregistrement ou de lecture.

CARACTERISTIQUES

- Interface USB 2.0
- Vitesse écriture (▲ZCLV, ★CAV)

Disque de téléchargement DVD*	8X PCAV (6X CLV)
DVD-R	1X, 2X, 4X, 6X, 8X*, 12X*, 16X*, 18X*, 20X*
DVD-R DL	2X, 4X, 6X, 8X [▲] , 10X [▲] , 12X [▲] ,
DVD-RW	1X, 2X, 4X, 6X
DVD+R	2,4X, 4X, 6X, 8X*, 12X*, 16X*, 18X*, 20X*
DVD+R DL	2,4X, 4X, 6X, 8X [▲] , 10X [▲] , 12X [▲]
DVD+RW	2,4X, 3.3X, 4X, 6X, 8X [▲]
DVD-RAM	2X, 3X, 5X, 6X, 8X*, 12X*
CD-R	4X, 10X, 16X, 24X, 32X*, 40X*
CD-RW	4X, 10X, 16X, 20X [▲] , 24X [▲] , 32X [▲]

***Remarque :** Disque de téléchargement DVD pour enregistrement géré par CSS (L'application supportant Qflix sera nécessaire.)

- Vitesse de lecture maximale

Disque de téléchargement DVD	12X CAV		
DVD-ROM (single)	16X	DVD-ROM (DL)	12X
DVD-R, DVD+R	16X	DVD-R (DL), DVD+R (DL)	12X
DVD-RW, DVD+RW	13X	DVD-RAM	12X
CD-ROM, CD-R	40X	CD-RW	32X
- Taille de la mémoire tampon 2 Mo (Écriture, Lecture)
- Orientation horizontale / verticale au choix
- Mécanisme à faible vibration par système DRA
- Téléchargement de DVD par technologie CSS nregistable

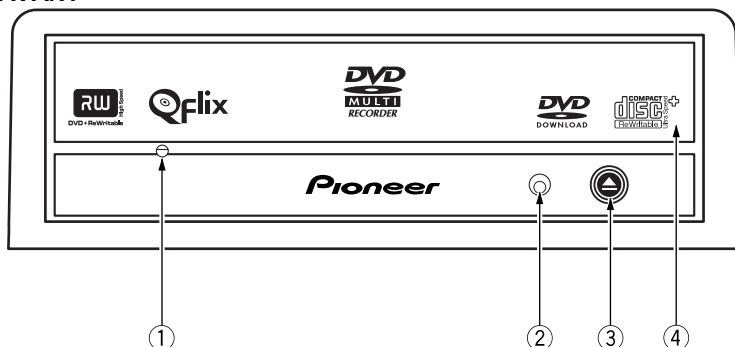
Format du Disque (Lecture / Écriture)

- Disque de téléchargement DVD
- DVD simple couche / double couche / disque de 120 mm / disque de 80 mm (Utilisable uniquement lors d'un montage horizontal de l'appareil)
- DVD-R (En cas écriture, disque 650 nm pour usage général seul)
- DVD-R (4X, 8X, 16X vitesse écriture)
- Couche Duelle DVD-R et Double Couche DVD+R
- DVD-RW (1X, 2X, 4X, 6X vitesse écriture)
- DVD+R (2,4X, 4X, 8X, 16X vitesse écriture)
- DVD+RW (2,4X, 4X, 8X vitesse écriture)
- DVD-RAM (non-arrondi, Version 2.0, Version 2.1, Version 2.2)
- CD-ROM Mode 1
- CD-R XA Mode 2 (forme 1, forme 2)
- Photo CD (simple et plusieurs sessions)
- CD-DA
- CD-Extra (CD PLUS)
- Video-CD
- CD Text
- CD-R
- CD-RW / Haute Vitesse CD-RW / Ultra Rapide CD-RW / Ultra Rapide* CD-RW

Remarques:

- Un programme d'application prenant en charge le format ci-dessus est nécessaire pour écriture.
- Médias supportent requis pour la vitesse écriture DVD et CD spécifiques.
- Pour effectuer une écriture sur DVD aux vitesses 12X, 16X, ou 20X utilisez des disques désignés par Pioneer. Pour plus de détails, consultez les informations disponibles sur le site web de Pioneer: <http://www.pioneerelectronics.com>
- Il se peut que la vitesse moyenne de lecture diminue lorsque plusieurs disques sont transcrites pendant la même session.
- Une vitesse d'écriture 20X pour DVD $\pm R$ est possible quand le pilote USB grande vitesse est utilisé (ce pilote autorise des taux de transmission plus rapides des données que ne le permettent les connexions USB). Notez que le pilote USB est particulier à cet appareil et qu'il ne fournira pas les mêmes résultats s'il est utilisé avec d'autres périphériques sur le même port USB. De même, des pilotes grande vitesse fournis avec d'autres périphériques ne permettront pas d'accroître efficacement la vitesse de transmission de cet appareil.

VUE AVANT



① Orifice d'éjection forcée

Insérer une tige rigide dans l'orifice et pousser pour éjecter le tiroir lorsque celui-ci ne s'ouvre pas lors d'un appui sur la touche d'éjection.

En fonctionnement, utiliser uniquement la touche d'éjection pour ouvrir le tiroir. Coupez l'alimentation du lecteur et attendez pendant une minute environ que la rotation du disque soit arrêtée avant d'éjecter le tiroir du disque au moyen de l'orifice d'éjection forcée.

② Voyant BUSY (occupé)

L'état de fonctionnement est signalé comme suit:

Pendant la lecture	S'allume
Pendant l'écriture	S'allume

③ Touche d'Éjection

Pour décharger / charger le disque, appuyer sur la touche.

④ Tiroir du Disque

Ouvrir le tiroir de chargement en appuyant sur la touche d'éjection, puis placez un CD ou un DVD dans l'emplacement prévu avec l'étiquette tournée vers le haut. Appuyer sur la touche d'éjection ou sur la partie avant du tiroir pour charger le disque.

N'essayez pas de retirer de force le plateau du disque. Utilisez l'Orifice d'éjection forcée ①.

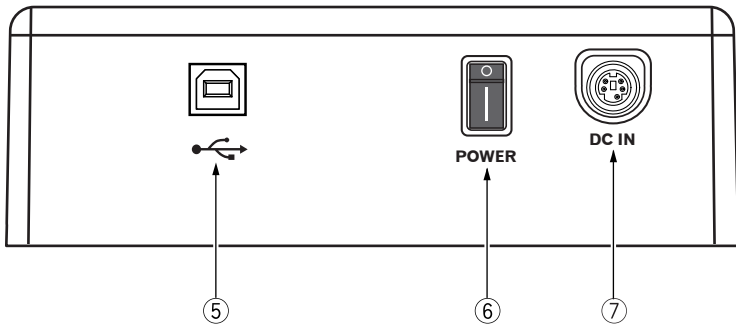
A PROPOS DES CODES REGIONAUX

Le code régional peut être modifié 5 fois SEULEMENT (premier réglage compris). Comme la cinquième modification sera DEFINITIVE, soyez particulièrement prudent lorsque vous décidez de modifier les codes régionaux.

- Les codes régionaux sont couverts par la norme DVD. Toutefois, les codes régionaux des disques DVD sont facultatifs. Les disques DVD qui ne possèdent pas de code régional peuvent être reproduits sur tous les lecteurs.


INTERFACE

VUE DE LA FACE ARRIERE



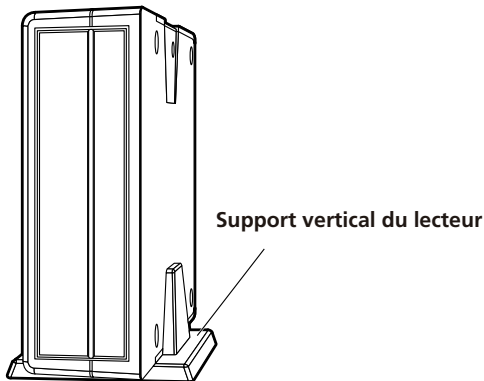
- ⑤ **Connecteur d'USB 2.0**
4-gouppilles Connecteur d'USB 2.0 I/O
- ⑥ **Interrupteur de mise sous/hors tension**
- ⑦ **Entrée cc {DC}**
pour l'adaptateur

Broche	Nom
1	Gnd (terre)
2	Gnd (terre)
3	+12 V
4	+5 V
5	+5 V



Utilisation du support vertical du lecteur

Vous pouvez utiliser le socle de montage vertical fourni si vous le souhaitez pour monter l'appareil verticalement comme montré sur l'illustration ci-contre. A l'emploi du support vertical du lecteur, le côté gauche ou droit du lecteur peut être orienté indifféremment vers le bas.

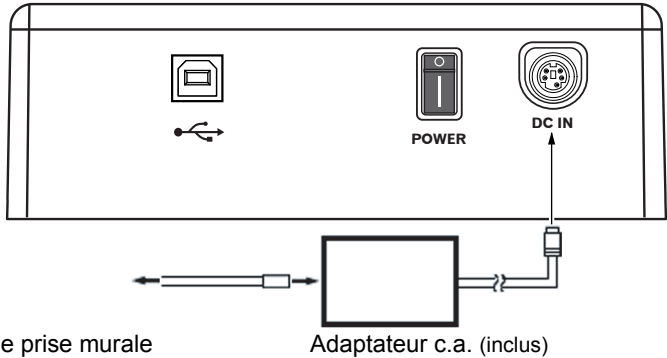


RACCORDEMENT

Raccordez l'unité à l'adaptateur c.a. inclus puis faites le raccordement USB.

Raccordement de l'adaptateur c.a.

Branchez l'adaptateur c.a. au connecteur DC IN situé sur le panneau arrière de l'unité. Utilisez le cordon électrique inclus pour raccorder l'adaptateur c.a. à une prise murale.



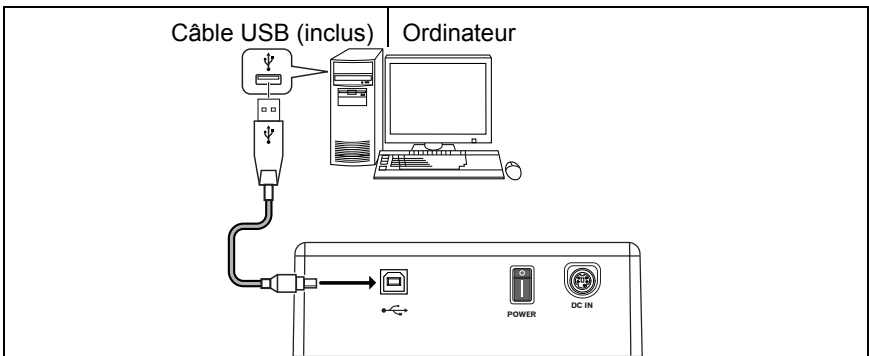
Raccordement du câble USB

Cette unité utilise une connexion à chaud.

- 1) Confirmez que votre ordinateur présente une borne USB disponible.
- 2) Une fois que votre système d'exploitation Windows[®] est en marche, servez-vous du câble USB inclus pour raccorder l'unité externe à votre ordinateur.

Nota : Cette unité peut fonctionner avec une borne USB 1.1, mais son rendement ne sera pas conforme aux spécifications optimales spécifiées.

Avertissement : Ne débranchez pas l'unité au cours du transfert des données.



OPÉRATIONS

La gravure sur médias DVD-R/-RW est possible lorsque l'application logicielle incluse est installée sur votre ordinateur. La gravure sera impossible si votre ordinateur ou votre système d'exploitation est incompatible avec le logiciel.

Pour commencer la gravure sur DVD-R/-RW:

- 1) Allumez l'unité.
- 2) Allumez votre ordinateur.
- 3) Appuyez sur le bouton d'éjection pour ouvrir le plateau.
- 4) Placez un disque dans le plateau, étiquette vers le haut.
- 5) Appuyez à nouveau sur le bouton d'éjection pour fermer le plateau.
- 6) Amorcez l'application de gravure.

Pour terminer la session de gravure:

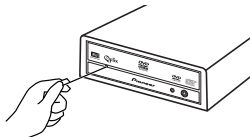
- 1) Sortez de l'application de gravure de disque.
- 2) Appuyez sur le bouton d'éjection pour ouvrir le plateau.
- 3) Retirez le disque.
- 4) Appuyez à nouveau sur le bouton d'éjection pour fermer le plateau.
- 5) Éteignez votre ordinateur.
- 6) Éteignez l'unité.

Pour des informations sur l'installation du logiciel (y compris le pilote USB grande vitesse), reportez-vous au manuel disponible sur le disque de logiciel fourni avec votre lecteur. Pour une assistance à l'écriture ou à la lecture de disques, consultez la fonction AIDE prévue dans programme d'application.

Éjection manuelle d'un disque

Servez-vous du trou d'éjection manuelle pour retirer un disque si jamais le plateau ne s'ouvre pas (après avoir essayé toutes les autres méthodes possibles).

- 1) Éteignez votre ordinateur.
- 2) Attendez que le disque cesse de tourner.
- 3) Insérez un trombone ou un petit fil métallique dans le trou d'éjection manuelle.
- 4) Appuyez fort jusqu'à ce que le plateau avance de 5 mm à 10 mm.
- 5) Tirez doucement sur le plateau, en ligne droite, et retirez le disque.



Remarques:

- Pour éviter de vous blesser et d'endommager l'unité, NE FORCEZ PAS l'ouverture du plateau pendant que le disque tourne.
- Ne placez aucun objet devant le plateau au cours de l'opération.

FICHE TECHNIQUE

[Position]

Ce lecteur peut être utilisé en position horizontale ou verticale.

[Taille du Disque]

12 cm / 8 cm

[Vitesse de Transfert des Données]

Lecture de données (soutenu)

DVD Max. 22,16 Mo/s

CD Max. 6,14 Mo/s (Mode de vitesse angulaire constante 17,1 à 40X sur 16 transferts de blocs)

Écriture de données (soutenu)

DVD Moy. 27,7 Mo/s (Écriture 20X sur DVD-R)

CD Moy. 6,14 Mo/s (Écriture 40X sur CD-R)

** La vitesse de transfert des données peut varier en fonction de l'état du disque (rayures, etc.)*

[Temps d'accès é temps de recherche] (Moyenne aléatoire)

Temps d'accès DVD-ROM 130 ms CD-ROM 120 ms

Temps de recherche DVD-ROM 120 ms CD-ROM 110 ms

[Alimentation]

Alimentation	+12 V CC, 2 A	+5 V CC, 2 A
Source	Secteur de 100 V à 240 V, 50 Hz/60 Hz	
Sortie nominale	+12 V CC, 2 A	+5 V CC, 2 A

[Données physiques]

Dimensions (façade comprise) 166 mm L x 55,8 mm H x 235 mm P

Poids 1,2 kg

Température de fonctionnement + 5° C à + 35° C

Humidité de fonctionnement 5 % à 85 % (sans condensation)

Température de remisage - 40° C à + 60° C

Humidité de remisage 5 % à 90 % (sans condensation)

[Accessoires]

- Disque e logiciel (x 1)
- Adaptateur À C.A (x 1)
- Câble d'USB (1,0 m) (x 1)
- Carte De Garantie (x 1)
- Support vertical du lecteur (x 1)
- Consignes d'utilisation (x 1)

Remarque: Les caractéristiques techniques et présentation de ce produit sont sujets à des changements sans préavis pour améliorations.

AFTER SALES SERVICE FOR PIONEER PRODUCTS

Please contact the dealer or distributor where you purchased this product for its after-sale service (including warranty conditions) or any other information. In case the necessary information is not available, please contact the Pioneer's subsidiaries (regional service headquarters) listed below.

PLEASE DO NOT SHIP YOUR PRODUCT TO THE COMPANIES

at the addresses listed below for repair without advance contact as these locations are not repair facilities.

UNITED STATES

PIONEER ELECTRONICS
SERVICE INC.
P.O. Box 1760
Long Beach, CA 90801-1760
United States of America

CANADA

PIONEER ELECTRONICS OF
CANADA, INC.
300 Allstate Parkway
Markham, Ontario
L 3 R – 0 P 2 Canada

**® PIONEER
CORPORATION**

Published by Pioneer Corporation
All Rights Reserved
Copyright © 2008 Pioneer Corporation

Publication de Pioneer Corporation.
© 2008 Pioneer Corporation.
Tous droits de reproduction et de traduction réservés.

PIONEER CORPORATION
4-1, Meguro, 1-Chrome, Meguro-ku, Tokyo 153-8654, Japan

Pioneer Electronics (USA) Inc.
Home Entertainment & Business Solutions Group
2265 E. 220th Street, Long Beach, CA 90810 USA

Pioneer Electronics of Canada, Inc.
Industrial Products Division
300 Allstate Parkway, Markham, Ontario, L3R-0P2 Canada

PIONEER ELECTRONICS SERVICE INC.
1925 East Dominquez Street, Long Beach, CA 90810 USA

For DVR-X162Q support, go to:

<http://www.pioneerelectronics.com/DVRX162Qsupport/>

For software related issues, please contact: Sonic Solutions

<http://support.sonic.com/desktop/dms/>

Printed in China/Imprimé au Chine < DVR-X162Q_661-100018 >